

DOVETAIL and VENEER DRAWER ADJUSTMENT INSTRUCTIONS

The height can be adjusted up to 3mm without the need for tools. This provides a simple and precise way to adjust the front spacing on your cabinetry.

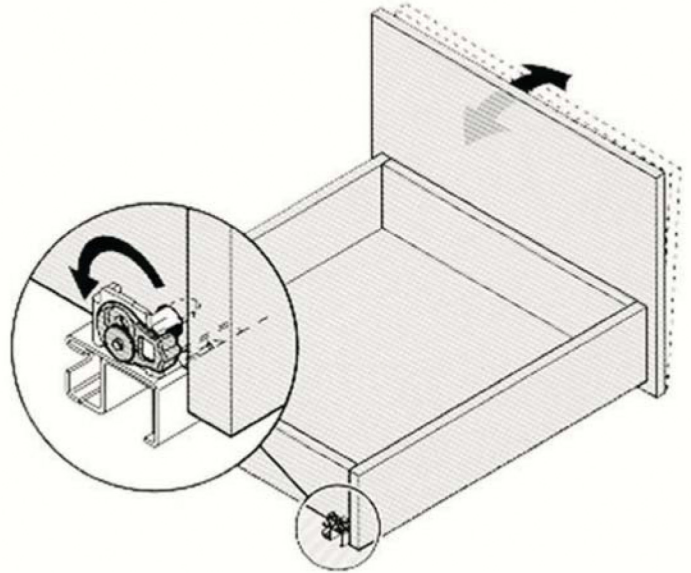
Please Note: Adjustments 1 and 2 should be made in conjunction with each other, to ensure smooth operation of drawers.

1. Drawer Tilt Adjustment

Precision positioning with just the turn of the hand, thanks to the innovative tilt and height adjustment feature for cabinet fronts.

Rotate mechanism on the back of the drawer (as shown), outward, away from center of drawer back to lower back of drawer in order to tilt drawer front back.

Rotate mechanism inward towards the center of drawer box to raise back of drawer in order to tilt drawer front forward.



2. Drawer Height Adjustment

Using the TANDEM front tilt adjustment in the TANDEM plus full extension, precise alignment between the drawer front and carcass is ensured. This is a quick and easy procedure requiring no tools.

Push tab up and back to raise drawer front, which also raises the drawer box.

Push tab up and forward to lower drawer front, which also lowers the drawer box.

Release tab once drawer is at desired height.

