

Regular Drawer - Height Adjustment

Side Adjustment

The diagrams show the process of adjusting a regular drawer. For height adjustment, a screwdriver is used to loosen a cam (1), the side clip is pried open (2), the drawer is moved to the desired height (-1.8 mm) (3), the clip is closed to tighten the front (4), and the cam is tightened (5). For side adjustment, the top and bottom screws are loosened (1), the drawer is moved side-to-side (2) by ±1.5 mm, and the screws are tightened (3).

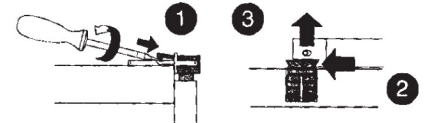
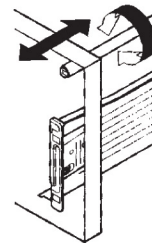
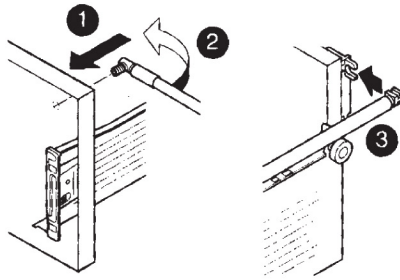
1. Loosen Cam
2. Pry open side drawer clip from bottom of clip.
3. Move drawer to desired height.
4. Close clip to tighten front.
5. Tighten cam.

1. Loosen top and bottom screws.
2. Move drawer side to side for desired placement.
3. Tighten screws.

Deep Drawer - Gallery Rail Adjustment

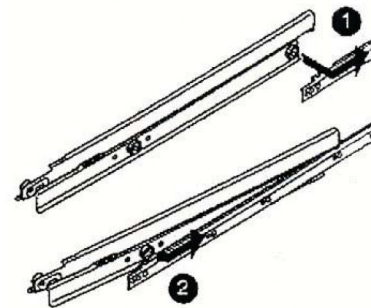
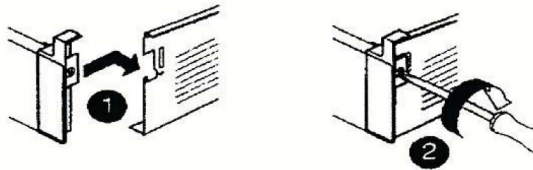
Tilt Adjustment

Gallery Removal



ROLL-OUT Front Assembly

Assembly of Center Profile



Standard Drawer Assembly

