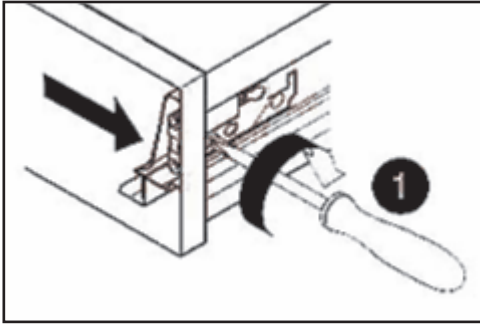
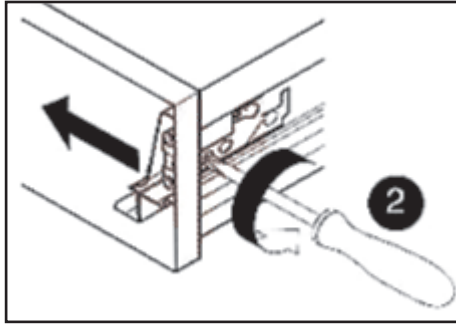


Tandembox Drawer Adjustments

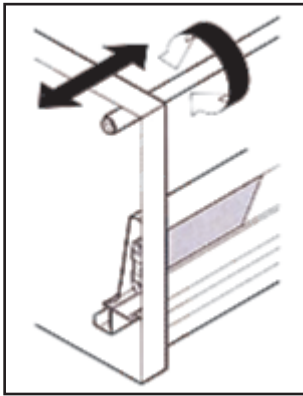
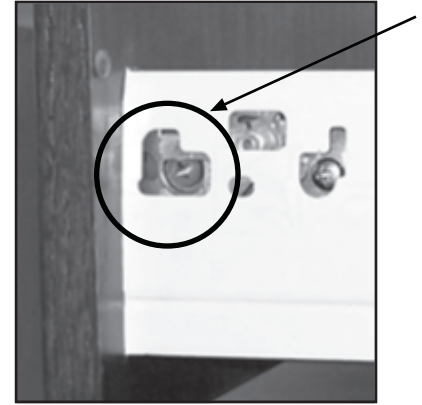
Side to Side Adjustment:



1. Turn front screw clockwise to move drawer front to the right.

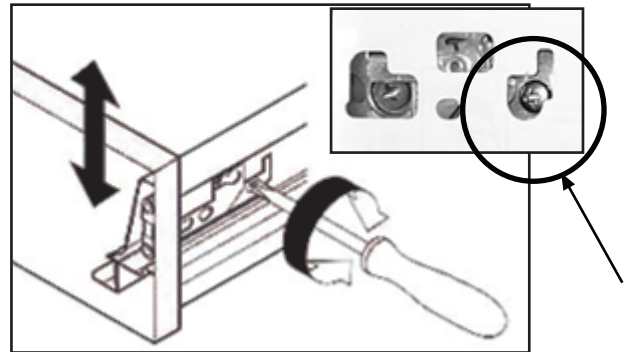


2. Turn front screw counter clockwise to move drawer front to the left.



Front Tilt Adjustment:

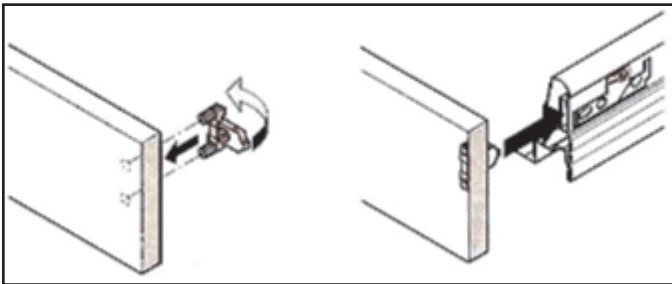
Turn gallery rail counter clockwise to move drawer front back and turn rail clockwise to move drawer front forward.



Height Adjustment:

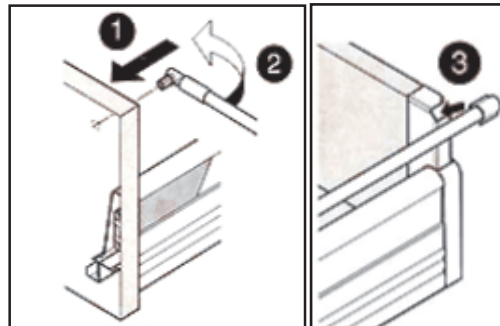
Turn screw clockwise to lower drawer front. Turn screw counter clockwise to raise drawer front. $\pm 2\text{mm}$ adjustment.

Front Assembly:

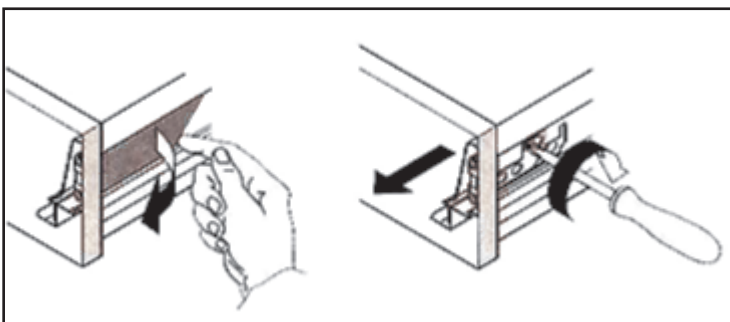


Place bracket into slot in drawer sides. Push to lock into place.

Gallery Rail Assembly:



1. Insert gallery into front hole.
2. Swing open to fasten.
3. Clip on gallery at back.



1. Remove cover cap.
2. Lift pivoting sleeve out of way.
3. Turn screw clockwise to release front.

